

SmartOne® Series 3300 Addressable Manual Pull Station



K-84-11

Effective: May 2021

FEATURES

- **Unique Field Labeling for either Fire Alarm or Suppression Applications**
- **Dual Action Operation**
- **Surface and Weatherproof Backboxes**
- **Flashing LED**
- **Keylock for Reset**
- **cULus Listed**
- **FM Approved**
- **California State Fire Marshal Listed**

DESCRIPTION

The Addressable Manual Pull Station is an intelligent initiating device that contains its own SmartOne® Addressable Input (AI) module and interfaces directly to a Kidde Fire Systems intelligent control unit operating SmartOne communications protocol. The Initiating Device Circuit (IDC) is wired as NFPA 72 (2002 edition) Class B.

The Pull Station is constructed of heavy die-cast aluminum for long life and uses an internal toggle switch for reliable operation. While the Pull Station is designed for quick, efficient emergency response, its double action PUSH/PULL levers prevent accidental operation.

Similar to other SmartOne devices, the unit is field programmable using the control unit keypad or Hand-Held Programmer. The owner location message and reporting type can be customized by the use of a programming utility utilized with the control panel.

A status LED is mounted on the unit and indicates the status by a 2 or 9 second flash interval. A Trouble condition inhibits the status LED completely.

The Pull Station can be mounted in an indoor or outdoor weatherproof backbox (Model SBG-32S or Model SGB-32C) or a North American 2-1/2 in. (64 mm) deep single-gang box.

The Station terminal block on the AI module accepts 14, 16 and 18 AWG (1.5 mm², 1.0 mm², and 0.75 mm²) wire. Size #18 is the minimum requirement.

FIRE ALARM OR SUPPRESSION RELEASE LABELING

The Pull Station is also shipped with a set of self-adhesive, heavy-duty Lexan™ labels, one of which must be applied to the Pull Station to clearly indicate its function.



ORDERING INFORMATION

| | |
|--|---------------|
| Addressable Double Action Manual Pull Station with integral SmartOne Class B Addressable Input Module - Ships with mounting hardware, 2 keys, 1 break rod, and label set | 76-330002-101 |
| SGB-32S Indoor Backbox | 84-100009-001 |
| SGB-32C Outdoor Backbox | 84-100009-002 |
| End-Of-Line Resistors (25 pieces of P/N 06-129025-003) | 70-411001-025 |
| Pkg. of (12) Breakrods | 84-100008-002 |
| Spare Key | 06-118013-001 |
| Label Set | 06-231866-930 |
| Class B Addressable Input (AI) Module | 70-610001-001 |
| Dielectric Grease (for moisture protection) | 06-119026-001 |

SPECIFICATIONS

| | |
|------------------------------|---|
| Station Type: | Double Action, with integral SmartOne Addressable Module |
| Initiating Device Circuit: | Class B Wiring |
| EOL Resistor Value: | 10 K Ohm |
| Max. Circuit Resistance: | 50 Ohm (25 ohm per conductor) |
| Max. Circuit Capacitance: | 0.1µF |
| Standby Current: | 580 µA |
| Alarm Current: | 580 µA |
| Operating Temperature Range: | -31°F to 150°F (-35°C to 66°C) |
| Operating Humidity Range: | 0-95% RH, non-condensing |
| Construction: | Die-cast metal housing |
| Environment: * | Indoor Use: Dry locations Outdoor Use: Damp locations |
| | * Definitions per the National Electrical Code (NEC) |
| Compatible Electrical Boxes: | Indoor: Sheet metal Model SGB-32S Outdoor: Weatherproof Die-cast Model SGB-32C |
| Shipping Weight: | 1.12 lbs. (510 g) |

COMPATIBLE CONTROL UNITS

| Fire Alarm Control Unit (FACU) Type | Current Product | Legacy Product |
|-------------------------------------|-----------------|--|
| Single Loop | ARIES®-SLX | ARIES® FenwalNET™ 6000 PEGAsys™ * FenwalNET 2000 * |
| Multiple Loop | ARIES®-MLX | ARIES® NETLink FenwalNET 8000-ML PEGAsys* FenwalNET 2000* |

* FACUs running software revision 82.4 are compatibility-tested but not agency listed with the device(s) in this data sheet.

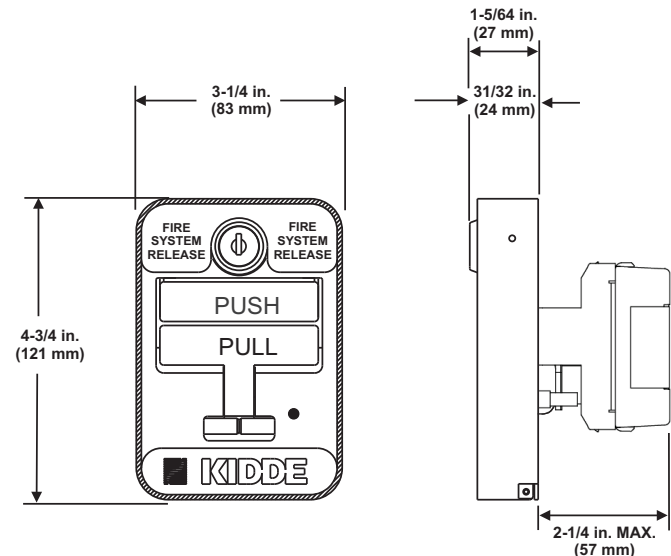
SGB-32S INTERIOR SURFACE BACKBOX

| | |
|---------------|---|
| Dimensions: | 4-3/4 in. H x 3-1/4 in. W x 2-1/4 in. D |
| Construction: | Steel sheet metal |
| Conduit: | Two knockouts for 1/2 in. conduit connectors, one on top and bottom |
| Mounting: | Mounts to the box with (4) 8/32 screws, which ship with each box. |

SGB-32C WEATHERPROOF SURFACE BACKBOX

| | |
|---------------|--|
| Dimensions: | 4-3/4 in. H x 3-1/4 in. W x 2-1/4 in. D |
| Construction: | Cast aluminum. |
| Conduit: | One threaded opening for 3/4 in. conduit connector. |
| Mounting: | Mounts to the box with (4) 8/32 screws and a foam gasket, which ships with each box. |

DIMENSIONS



EXPORT INFORMATION (USA)

Jurisdiction: EAR
US ECCN: EAR99

This document contains technical data subject to the EAR.

ARIES and SmartOne are registered trademarks of Kidde-Fenwal, Inc., or its parents, subsidiaries or affiliates. Lexan is a trademark of SABIC.

This literature is provided for informational purposes only. KIDDE-FENWAL, INC. believes this data to be accurate, but it is published and presented without any guarantee or warranty whatsoever. KIDDE-FENWAL, INC. assumes no responsibility for the product's suitability for a particular application. Product features specified are only applicable when the fire suppression system is correctly designed, installed, maintained and serviced by trained, authorized Kidde Fire Systems distributors as per the applicable design, installation, operation, and maintenance manuals. If you need more information on this product, or if you have a particular problem or question, contact: KIDDE-FENWAL, INC., Ashland, MA 01721 USA, Telephone: (508) 881-2000.